

SPECIFICATIONS

Material: HEXSEALS: Silicone rubber conforms to A-A-59588 Class 3, GR 50 unless otherwise specified.

Mounting Nut: HEXSEALS: Brass, nickel-plated (unless otherwise noted)

Temperature Range: HEXSEALS: -94°F to +400°F

Pressure Range: Exceeds 15 psi internal and 1500 psi external.

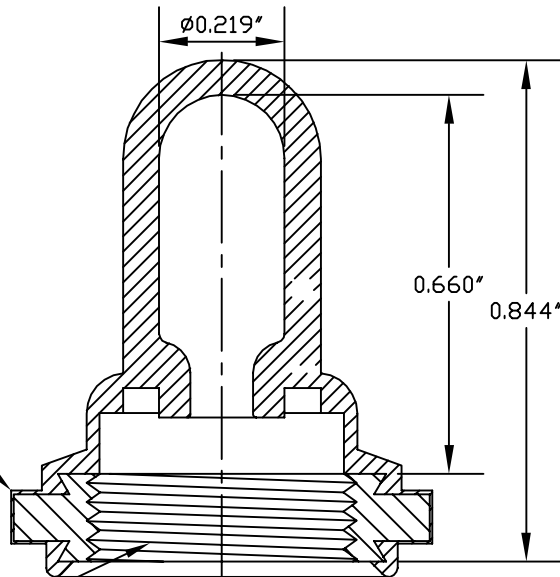
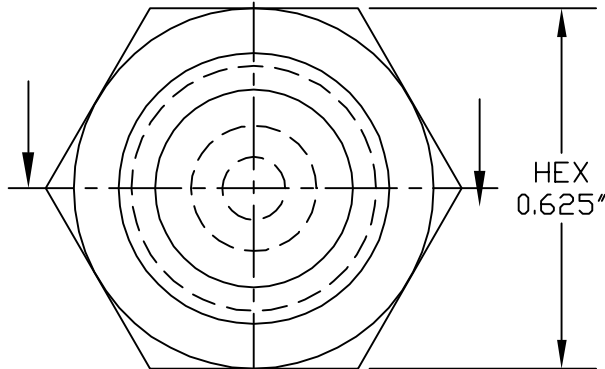
Operational Life: 50,000 actuations (minimum).

Shelf Life: Excess of 25 years.

Resistant to: Salt spray, sunlight, ozone, weather, fungus, and most acids and lubricating oils

Agency Recognition: E-SEELS and HEXSEALS are UL-listed to UL Std. 50 types 1-13, and meet CSA standards.

Installation: If a reducing adaptor is required - see page 14 of HEXSEAL catalog HEX200 for part numbers and drawing.



15/32-32NS-2B

C	MAT'L CHANGED and REDRAWN	S. GOK	06.11.09
B	CAD COMPUTER GENERATED		09.19.02
A	MODIFIED	R.C.	11.16.74
REV.	DESCRIPTION		DATE
	MAXIMUM AND MINIMUM MEASUREMENTS ARE STATED DIRECTLY ON EACH DIMENSION.	ENG.	S. GOK 06.11.09
	MAT'L: Silicone Rubber	DWN.	S. ANDREWS 12.09.59
	A-A-59588, Gr.50	CHKD.	J. CELLA 06.11.09
	FINISH: GRAY	SCALE	(N-1030)
		3 : 1	HEXSEAL®
		DWG. NO.	

THIS DRAWING COVERS PROPRIETARY ITEM AND IS THE PROPERTY OF THE APM-HEXSEAL CORPORATION.
THIS DRAWING IS NOT TO BE COPIED OR USED WITHOUT THE WRITTEN APPROVAL OF AN OFFICER OF THE APM-HEXSEAL CORPORATION.